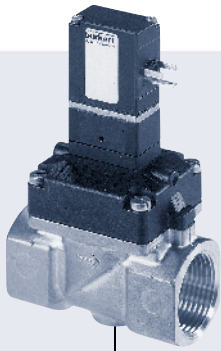
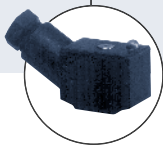


## 2/2-way Solenoid Valve with servo diaphragm

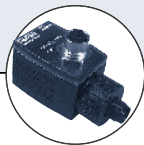


Type 6212 can be combined with...



**Type 2506**

Cable plug






**Type 2510**

ASI cable plug

2/2-way solenoid valve with servo-diaphragm and 3-way pilot control with media separation. Supplied in the circuit functions NC and NO.

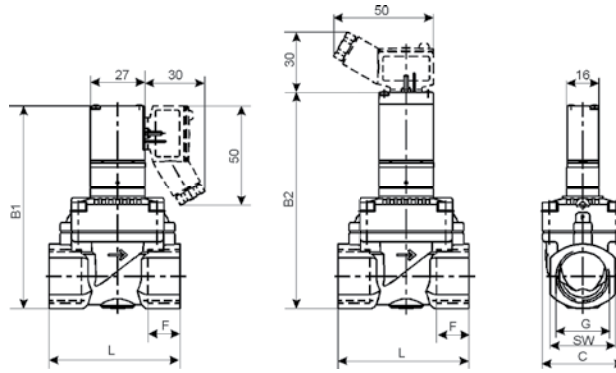
As an option, the valve can be delivered with an integrated flow switch and the accompanying electronics integrated into the cable plug.

- Media separation
- Waterhammer-free, low noise
- Low power consumption
- Option with flow switch
- Stainless steel body for partially aggressive media
- NC and NO circuit function
- Approval:   

Technical data	Valve without flow switch
<b>Orifice</b>	3/8" - 7/16" (DN 10 - 20 mm)
<b>Body material</b>	Brass or stainless steel 1.4404
<b>Body cover and internal part</b>	PPE/PA (Noryl) Stainless steel 1.4404
<b>Pilot flange</b>	PPS
<b>Seal material</b>	NBR and FKM (EPDM on request)
<b>Media</b> or flow switch	
NBR	Neutral media, such as compressed air, water, hydraulic oil
EPDM	Oil and fat-free media
FKM	Per-solutions, oil, fat, diluted acids
<b>Media temperature</b> without flow switch	
NBR	+32 to +122 °F (0 to +50 °C)
EPDM	+14 to +122 °F (-10 to +50 °C)
FKM	+32 to +122 °F (0 to +50 °C)
<b>Ambient temperature</b>	Up to +131 °F (+55 °C)
<b>Operating voltage/ Power consumption</b>	24 V/DC (3.4 W), for 24V/AC, use cable plug with rectifier; (see data sheet for type 2506)
<b>[W]</b>	110-120 V/UC (4 W), 230-240 V/UC (4 W)
<b>Voltage tolerance</b>	±10 %
<b>Duty cycle</b>	100 % continuous rating
<b>Electrical connection</b>	
Tag connector acc. DIN 43650 C	Tag connector sideways at 24 V/DC Tag connector above at 110/230 V/UC
<b>Cable plug</b>	Types 2506 and 2510 (see separate data sheet)
<b>Protection class</b>	IP 65 with cable plug
<b>Installation</b>	As required, preferably with actuator upright
<b>Option with flow switch</b>	
<b>Seal material</b>	NBR
<b>Media</b>	Water +50 ° to +140 °F (+10 to +60 °C)

Solenoid valve dimensions

Dimensions (mm)							
Tag conn. sideways			Tag conn. above				
DN	NPT	B1	B2	C	F	L	SW
10	NPT 3/8	94.5	101.0	32	12	55	27
10	NPT 1/2	94.5	101.0	32	14	55	27
13	NPT 1/2	100.0	106.5	40	14	65	32
13	NPT 3/4	100.0	106.5	40	16	65	32
20	NPT 3/4	114.5	121.0	60	16	100	41
20	NPT 1	114.5	121.0	60	18	100	41



Ordering chart for valves (other versions on request)

Valves with brass body, with or without cable plug (please see footnote and/or Accessories)

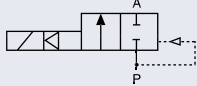
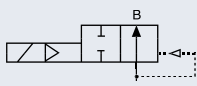
Circuit function	Orifice [mm]	Port connection [NPT]	Cv value water GPM]	Pressure range [psi]	Voltage/ frequency [V/Hz]	Item no. Cover PPE/PA Seal NBR
<b>A</b> 2/2-way valve NC 	10	NPT 3/8	2.2	2.8 - 145	024/DC	458 003
					110-120/UC	458 004
					230-240/UC	458 005
		NPT 1/2	2.2	2.8 - 145	024/DC	458 015
					110-120/UC	458 016
					230-240/UC	458 017
	13	NPT 1/2	4.2	2.8 - 145	024/DC	458 027
					110-120/UC	458 028
					230-240/UC	458 029
		NPT3/4	4.2	2.8 - 145	024/DC	458 039
					110-120/UC	458 040
					230-240/UC	458 041
20	NPT3/4	9.7	2.8 - 145	024/DC	458 051	
				110-120/UC	458 052	
				230-240/UC	458 053	
	NPT 1	9.7	2.8 - 145	024/DC	458 063	
				110-120/UC	458 064	
				230-240/UC	458 065	
<b>B</b> 2/2-way valve NO 	10	NPT 3/8	2.2	2.8 - 145	024/DC	458 157
					110-120/UC	458 158
					230-240/UC	458 159
		NPT 1/2	2.2	2.8 - 145	024/DC	458 167
					110-120/UC	458 168
					230-240/UC	458 169
	13	NPT 1/2	4.2	2.8 - 145	024/DC	458 177
					110-120/UC	458 178
					230-240/UC	458 179
		NPT 3/4	4.2	2.8 - 145	024/DC	458 187
					110-120/UC	458 188
					230-240/UC	458 189
	20	NPT 3/4	9.7	2.8 - 145	024/DC	458 197
					110-120/UC	458 198
					230-240/UC	458 199
		NPT 1	9.7	2.8 - 145	024/DC	458 207
					110-120/UC	458 208
					230-240/UC	458 209

The 110-120 and/or 230-240 V coils each have an integrated rectifier and a varistor. They are therefore suitable for use with both direct and alternating voltage. For this version, please use the cable plug without electronics only.

## Solenoid valve ordering chart

## Ordering chart for valves (other versions on request)

Valves with stainless steel body, without cable plug

Circuit function	Orifice [mm]	Port connection [NPT]	Cv value water [GPM]	Pressure range [psir]	Voltage/frequency [V/Hz]	Item no. Cover stainless steel Seal FKM
<b>A</b> 2/2-way valve NC 	10	NPT 3/8	2.2	2.3 - 145	024/DC	458 133
					110-120/UC	458 134
					230-240/UC	458 135
		NPT 1/2	2.2	2.3 - 145	024/DC	458 137
					110-120/UC	458 138
					230-240/UC	458 139
	13	NPT 1/2	4.2	2.3 - 145	024/DC	458 141
					110-120/UC	458 142
					230-240/UC	458 143
		NPT 3/4	4.2	2.3 - 145	024/DC	458 145
					110-120/UC	458 146
					230-240/UC	458 147
20	NPT 3/4	9.7	2.3 - 145	024/DC	458 149	
				110-120/UC	458 150	
				230-240/UC	458 151	
	NPT 1	9.7	2.3 - 145	024/DC	458 153	
				110-120/UC	458 154	
				230-240/UC	458 155	
<b>B</b> 2/2-way valve NO 	10	NPT 3/8	2.2	2.3 - 145	024/DC	458 217
					110-120/UC	458 218
					230-240/UC	458 219
		NPT 1/2	2.2	2.3 - 145	024/DC	458 221
					110-120/UC	458 222
					230-240/UC	458 223
	13	NPT 1/2	4.2	2.3 - 145	024/DC	458 225
					110-120/UC	458 226
					230-240/UC	458 227
		NPT 3/4	4.2	2.3 - 145	024/DC	458 229
					110-120/UC	458 230
					230-240/UC	458 231
	20	NPT 3/4	9.7	2.3 - 145	024/DC	458 233
					110-120/UC	458 234
					230-240/UC	458 235
		NPT 1	9.7	2.3 - 145	024/DC	458 237
					110-120/UC	458 238
					230-240/UC	458 239

The 110-120 and/or 230-240 V coils each have an integrated rectifier and a varistor. They are therefore suitable for use with both direct and alternating voltage. For this version, please use the cable plug without electronics only.

**Solenoid valve technical data**

Technical data	Valve with integrated flow switch
<b>Orifice</b>	3/8" - 7/16" (DN 10 - 20 mm)
<b>Electronics cable plug</b>	(supplied as standard)
<b>Body material</b>	PA
<b>Operating voltage Ue</b>	24V/DC (acc. VDE 0160)
<b>Residual ripple</b>	Max. 10%
<b>Ambient temperature</b>	+32 ° to +122 °F ( 0 to +50 °C)
<b>Electrical connection</b>	PG 16, Ø 6 - 7 mm line Screw terminals for wires up to 0.75 mm
<b>Protection class, body</b>	IP 65
<b>Inlet port</b>	Low protective voltage 24 V DC
<b>Outlet port</b>	Binary output with LED display Flow-rate = High 3 V up to Ue 1 V Without flow-rate = Low ≤ 1 V
<b>Output current</b>	Max. 50 mA
<b>Response time</b>	≤ 1 sec
<b>Power consumption</b>	Max. 0.4 W
<b>Area of application</b>	Water
<b>Media temperature</b>	+50 to +140 °F (+10 to +60 °C)
<b>Switching point</b>	DN 10 8 l/min DN 13 18 l/min DN 20 30 l/min
<b>Switch point adjustment</b>	With potentiometer in cable plug
<b>LED display</b>	In cable plug cover LED display "off" No flow-rate (medium stationary) LED display "on" Flow-rate (medium flowing)

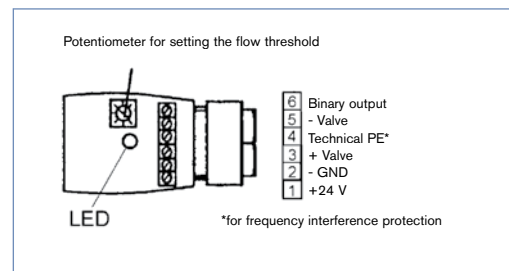
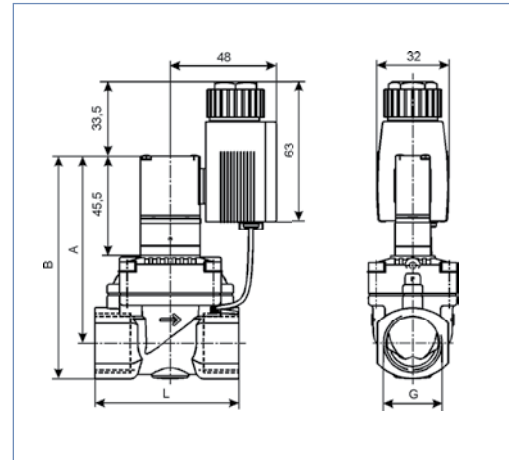
Dimensions [mm]				
DN	NPT	A	B	L
10	NPT 3/8	80.5	94.5	55
10	NPT 1/2	80.5	94.5	55
13	NPT 1/2	85.0	101.0	65
13	NPT 3/4	85.0	101.0	65
20	NPT 3/4	94.0	114.5	100
20	NPT 1	94.0	114.5	100

**Ordering chart for valves with integrated flow switch** (other versions on request)

Valves with brass body, with or without cable plug (please see footnote and/or Accessories)

Circuit function	Orifice [mm]	Port connection [NPT]	Cv value water [GPM]	Pressure range [psi]	Voltage/ frequency [V/Hz]	Item no. Brass body Cover PPE/PA Seal NBR
	10	NPT 3/8	2.2	2.8 - 145	024/DC	458 012
		NPT 1/2	2.2	2.8 - 145	024/DC	458 024
	13	NPT 1/2	4.2	2.8 - 145	024/DC	458 036
		NPT 3/4	4.2	2.8 - 145	024/DC	458 048
	20	NPT 3/4	9.7	2.8 - 145	024/DC	458 060
		NPT 1	9.7	2.8 - 145	024/DC	458 072

Valves with circuit function B on request



**Electrical connection**  
**type 6212** with flow switch  
 (cable plug with integrated electronic)

In case of special application conditions, please consult for advice.

We reserve the right to make technical changes without notice.